

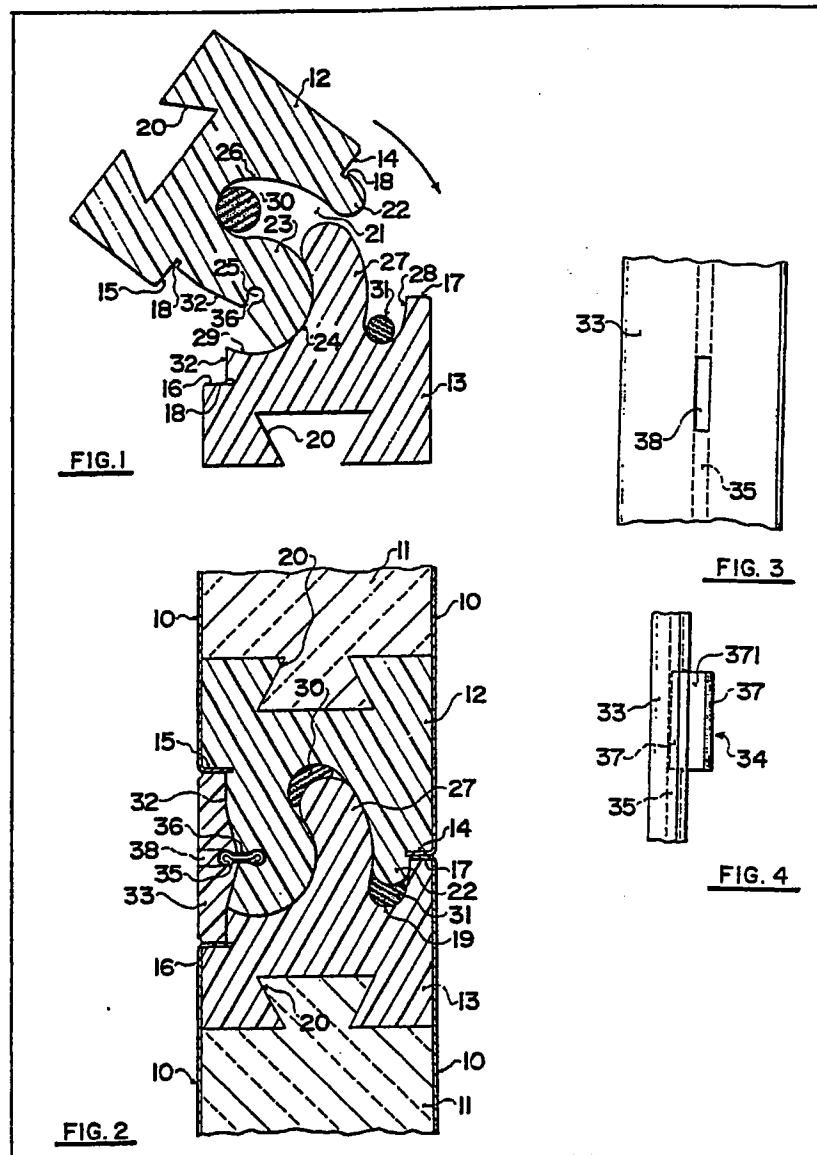
(12) UK Patent Application (19) GB (11) 2 117 813 A

- (21) Application No 8308941
- (22) Date of filing 31 Mar 1983
- (30) Priority data
- (31) 8210167
- (32) 6 Apr 1982
- (33) United Kingdom (GB)
- (43) Application published 19 Oct 1983
- (51) INT CL³
E04B 2/82
- (52) Domestic classification
E1D 103 358 421 523
F155 LES2
U1S 1742 1966 E1D
- (56) Documents cited
GBA 2099038
GBA 2063952
GBA 2016574
GB 1555087
GB 1307026
GB 0436275
- (58) Field of search
E1D
- (71) Applicant
Leonid Ostrovsky,
62 Blackthorne Bay,
Winnipeg, Manitoba,
Canada, R2P 1S9
- (72) Inventor
Leonid Ostrovsky
- (74) Agent and/or Address for
Service
Withers and Rogers,
4 Dyer's Buildings,
Holborn, London
EC1N 2JT

(54) Pivotal assembly of insulated wall panels

(57) The joint assembly comprises a pair of strips 13, 12 secured to the edges of respective panels by folding the outer skins 10 and by a dovetail joint 20 with the foam insulation material 11. The connecting strips provide a curved tongue 27 and groove 21. The groove strip has a pivotal body 23 of part-cylindrical

shape so that one strip can be pivoted relative to the other for tongue 27 to enter groove 21. Pivotal body 23 lies to one side of tongue 27 and intermediate the height thereof so that in the desired orientation, the curved surfaces of tongue 27 and groove 21 prevent withdrawal of tongue 27 by linear movement. A locking strip 33 can be inserted into a groove; it includes spaced clips 34.



GB 2 117 813 A

2117813

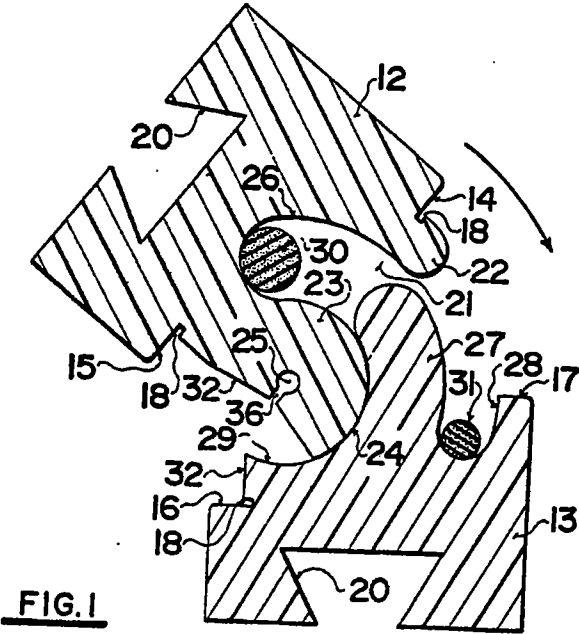


FIG. 1

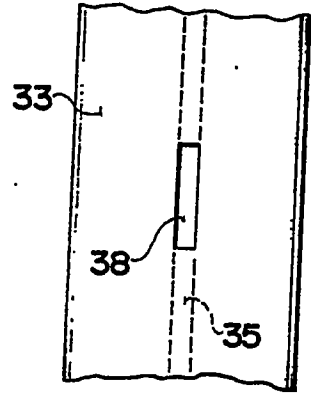


FIG. 3

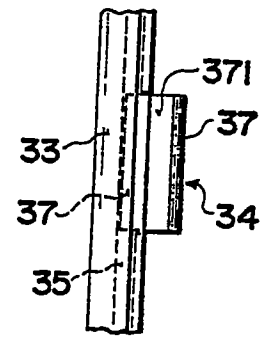


FIG. 4

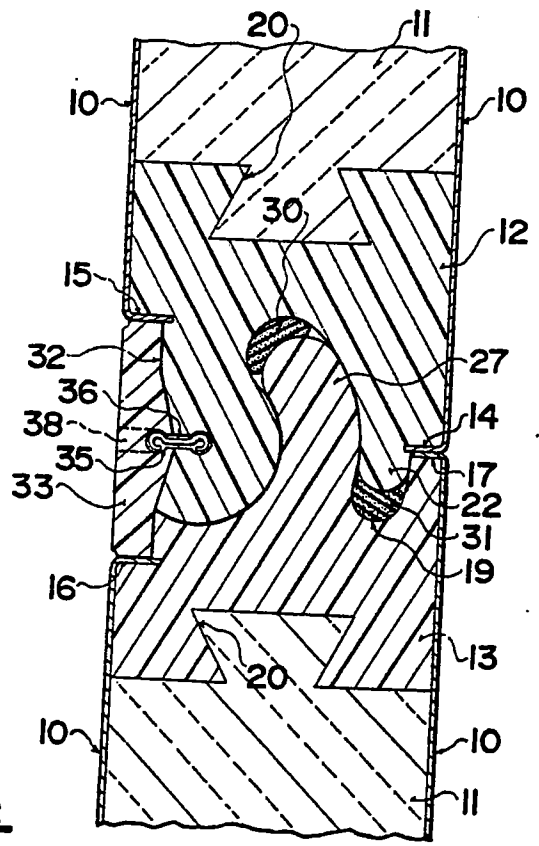


FIG. 2

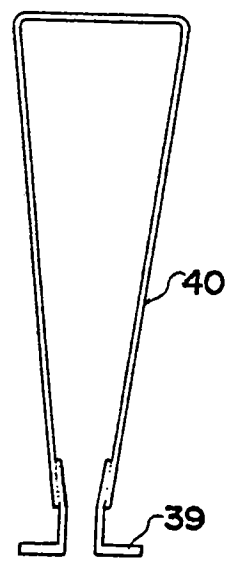


FIG. 5